

# Weldcraft™ Modular Series Hand-Held TIG Welding Torches

## Quick Specs

Models	Type	Rated Output*	Duty Cycle	Electrode Range*
A-150 Modular / A-150 Modular Valve	Air-cooled	DC: 150 A, AC: 105 A	60%	.020–1/8 in. (0.5–3.2 mm)
A-200 Modular Valve	Air-cooled	DC: 200 A, AC: 150 A	60%	.020–5/32 in. (0.5–4.0 mm)
W-225 Modular	Water-cooled	DC: 225 A, AC: 160 A	100%	.020–5/32 in. (0.5–4.0 mm)

\*See page 3.

### Modular Series TIG torches

The Modular Series is engineered with high-performing air-cooled and water-cooled technology to ensure that you can weld multiple joint configurations for various applications and angles.



*Note: Torches delivered may vary slightly from images shown.*

**Built-in, efficient cooling system** reduces overheating to extend parts and consumable life.

**Modular design** minimizes costs and downtime for torch changeover and parts inventory.

**Easy configurable head options** provide greater versatility and joint access, and minimize downtime for torch changeover.

**Gas valve** provides greater shielding gas flow control (A-150 Modular Valve and A-200 Modular Valve).



**Miller Electric Mfg. Co.**  
 An ITW Welding Company  
 1635 West Spencer Street  
 P.O. Box 1079  
 Appleton, WI 54912-1079 USA

**Equipment Sales US and Canada**  
 Phone: 866-931-9730  
 FAX: 800-637-2315  
 International Phone: 920-735-4554  
 International FAX: 920-735-4125

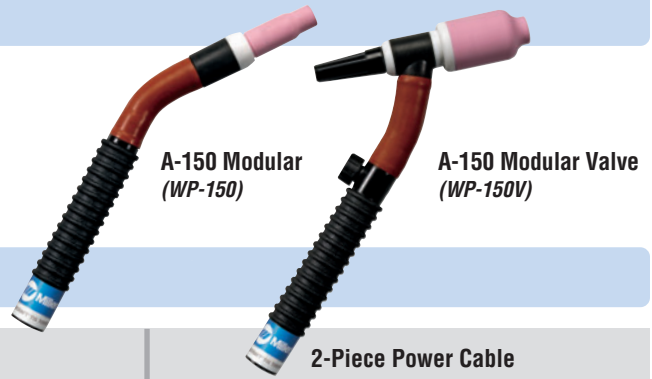
**MillerWelds.com**



## A-150 Modular Series

**Applications** Fabrication, maintenance and repair, aerospace, metal art, food and beverage industry, petro/chemical, shipbuilding

**Type** Air-cooled  
**Rated Output** DC: 150 A, AC: 105 A  
**Duty Cycle** 60%  
**Electrode Range** .020–1/8 in. (0.5–3.2 mm)



## A-150 Modular Series Torch Packages

Models		1-Piece Power Cable Rubber		2-Piece Power Cable Rubber	
Old Model	New Name	12.5 ft. (3.8 m)	25 ft. (7.6 m)	12.5 ft. (3.8 m)	25 ft. (7.6 m)
WP-150	A-150 Modular	WP-150-12-R	WP-150-25-R	WP-150-12-2	WP-150-25-2
WP-150V	A-150 Modular Valve	WP-150V-12-R	WP-150V-25-R	WP-150V-12-2	WP-150V-25-2

V = Valve

Torch packages include torch body, handle, power cable, 150CE and 150SE elements, and 1726 and 9-70 torch heads.

## A-200 Modular Series

**Applications** Fabrication, maintenance and repair, manufacturing, shipbuilding, vocational

**Type** Air-cooled  
**Rated Output** DC: 200 A, AC: 150 A  
**Duty Cycle** 60%  
**Electrode Range** .020–5/32 in. (0.5–4.0 mm)



## A-200 Modular Series Torch Packages

Models		1-Piece Power Cable Rubber	
Old Model	New Name	12.5 ft. (3.8 m)	25 ft. (7.6 m)
WP-200V	A-200 Modular Valve	WP-200V-12-R	WP-200V-25-R

V = Valve

Torch packages include torch body, handle, power cable, 200CE and 200SE elements, and 1726 and 1726P torch heads.

## Individual Components

Component	A-150 Modular	A-200 Modular
Torch Body	150TB	200TB
Valve Torch Body	150VTB	200VTB
Flexible Element	150CE	200CE
Solid Element	150SE	200SE
Handle	105Z55R	10N15R

## W-225 Modular Series

**Applications** Aerospace, dairy, food and beverage industry, light and heavy manufacturing, maintenance and repair, petro/chemical, precision fabrication, shipbuilding, tube and pipe, vocational

**Type** Water-cooled  
**Rated Output** DC: 225 A, AC: 160 A  
**Duty Cycle** 100%  
**Electrode Range** .020–5/32 in. (0.5–4.0 mm)

W-225 Modular  
(WP-225)



## W-225 Modular Series Torch Packages

Models		Braided Rubber		Vinyl	
Old Model	New Name	12.5 ft. (3.8 m)	25 ft. (7.6 m)	12.5 ft. (3.8 m)	25 ft. (7.6 m)
WP-225	W-225 Modular	WP-225-12-R	WP-225-25-R	WP-225-12	WP-225-25

Torch packages include torch body, handle, power cable, gas hose, water hose, and 1726 and 9-70 torch heads.

## Torch Heads



Torch Head	Angle	Electrode Range	A-150 Modular*			A-200 Modular*			W-225 Modular**		
			DC	Amp Rating	AC	DC	Amp Rating	AC	DC	Amp Rating	AC
24	70°	.020–3/32 in. (0.5–2.4 mm)	80		50	80		50	160		115
24-90	90°	.020–3/32 in. (0.5–2.4 mm)	80		50	80		50	160		115
9-70	70°	.020–1/8 in. (0.5–3.2 mm)	125		100	125		100	200		140
9-90	90°	.020–1/8 in. (0.5–3.2 mm)	125		100	125		100	200		140
9P	180°	.020–1/8 in. (0.5–3.2 mm)	125		100	125		100	200		140
1726	70°	.020–5/32 in. (0.5–4.0 mm)	150		115	200		140	225		160
1726P	180°	.020–5/32 in. (0.5–4.0 mm)	150		115	200		140	225		160

\*60% duty cycle. \*\*100% duty cycle.

# Modular Series Connectors

## A-150 / A-200 1-piece power cable connectors



**194722 / 194723**  
50 mm Dinse-style gas thru for one-piece air-cooled torch.



**195378 / 195379**  
50 mm Dinse-style for one-piece air-cooled torch.



**105257**  
Power cable adapter for one-piece A-150 torch.



**45V62**  
Power cable adapter for one-piece A-200 torch.

## A-150 / A-200 2-piece power cable connector



**129527**  
50 mm Dinse-style for two-piece cable air-cooled torch.

## W-225 power cable connectors



**195380**  
50 mm Dinse-style gas thru with gas and water return lines for water-cooled torch.



**195377**  
50 mm Dinse-style with water return line for water-cooled torch.



**45V11**  
Power cable adapter for water-cooled torch.



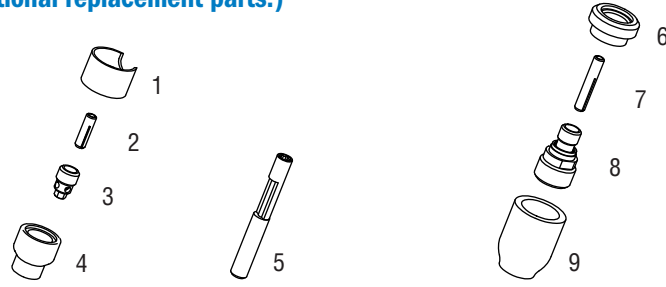
**225028**  
50 mm thread-lock-style for water-cooled torch.

Machines	Connection Type	A-150 Power Cable Connectors		A-200 Power Cable Connectors		W-225 Power Cable Connectors
		1-Piece	2-Piece	1-Piece	2-Piece	
<b>TIG Machines</b>						
Syncrowave® 200/210	50 mm Dinse-style gas thru	194722	129527*	194723	129527*	195380
Syncrowave® 250 DX/350 DX (Dinse)	50 mm Dinse-style	195378	129527	195379	129527	195377
Syncrowave® 250 DX/350 DX (stud)	1/2 in. stud	105257	N/A	45V62	N/A	45V11
Maxstar® 150 STL/STH	25 mm Dinse-style gas thru	273483	127836*	N/A	N/A	N/A
Dynasty® 200/210/280/350, Maxstar® 200/210/280/350	50 mm Dinse-style	195378	129527	195379	129527	195377
Dynasty® 700, Maxstar® 700	50 mm thread-lock	N/A	N/A	N/A	N/A	225028
<b>Multiprocess Machines</b>						
Multimatic™ 200	25 mm Dinse-style gas thru	273483	127836*	N/A	N/A	N/A
Dimension™ 302/452/NT 450/652	1/2 in. stud	105257	N/A	45V62	N/A	45V11
PipeWorx	1/2 in. stud	105257	N/A	45V62	N/A	45V11
XMT® 304/350	50 mm Dinse-style	195378	129527	195379	129527	195377
XMT® 450	1/2 in. stud	105257	N/A	45V62	N/A	45V11
<b>Engine-Driven Machines</b>						
Most Big Blue®, Trailblazer®, Bobcat™, Blue Star® and Wildcat® models	1/2 in. stud	105257	N/A	45V62	N/A	45V11
Big Blue® 450 Duo CST	50 mm Dinse-style	195378	129527	195379	129527	195377
<b>General Reference</b>						
	25 mm Dinse-style gas thru	273483	N/A	N/A	N/A	N/A
	50 mm Dinse-style	195378	129527	195379	129527	195377
	50 mm Dinse-style gas thru	194722	N/A	194723	N/A	195380
	50 mm thread-lock	N/A	N/A	N/A	N/A	225028
	1/2 in. stud	105257	N/A	45V62	N/A	45V11
<b>Other Adapter</b>						
	Stud to Dinse-style adapter	232728	N/A	232728	N/A	232728

\*2-piece power cable connector is not gas thru.

# 24 and 24-90 Modular Series Consumables

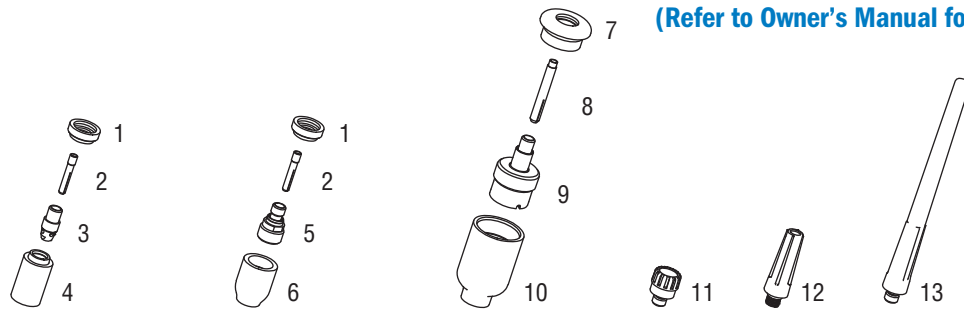
(Refer to Owner's Manual for additional replacement parts.)



<b>Non-Gas Lens</b>					
<b>Electrode Size — inch (mm)</b>	<b>.020 (0.5)</b>	<b>.040 (1.0)</b>	<b>1/16 (1.6)</b>	<b>3/32 (2.4)</b>	
1 Insulator (required)	53N22	53N22	53N22	53N22	
2 Collet	53N15	53N16	53N14	24C332	
3 Collet Body	53N17	53N18	53N19	24CB332	
<b>Nozzle Size — size # (inch)</b>	<b>.165</b>	<b>4 (1/4)</b>	<b>5 (5/16)</b>	<b>6 (3/8)</b>	
4 Alumina	—	A53N24	A53N25	A53N27	
* Lava	53N23	53N24	53N25	53N27	
* Long Lava	—	53N28	—	53N26	
<b>Collet Body Wrench</b>					
5 53N20					
<b>Gas Lens</b>					
<b>Electrode Size — inch (mm)</b>	<b>.020 (0.5)</b>	<b>.040 (1.0)</b>	<b>1/16 (1.6)</b>	<b>3/32 (2.4)</b>	
6 Insulator (required)	53N66	53N66	53N66	53N66	
7 Collet	53N62	53N63	53N64	24GLC332	
8 Gas Lens	45V41	45V42	45V43	45V44	
<b>Nozzle Size — size # (inch)</b>	<b>4 (1/4)</b>	<b>5 (5/16)</b>	<b>6 (3/8)</b>	<b>7 (7/16)</b>	<b>8 (1/2)</b>
9 Alumina Gas Lens	53N58	53N59	53N60	53N61	53N61S

\*Not shown.

# 9-70, 9-90 and 9P Modular Series Consumables

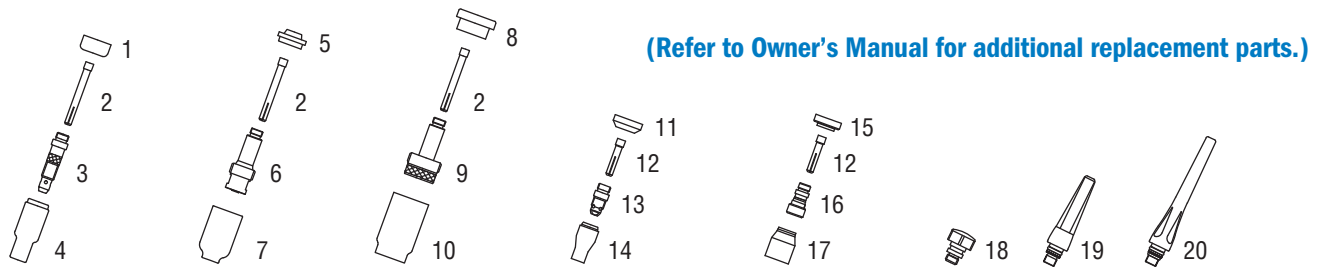


(Refer to Owner's Manual for additional replacement parts.)

Non-Gas Lens									
Electrode Size — inch (mm)	.020 (0.5)	.040 (1.0)	1/16 (1.6)	3/32 (2.4)	1/8 (3.2)				
1 Insulator (required)	598882	598882	598882	598882	598882				
2 Collet	13N20	13N21	13N22	13N23	13N24				
3 Collet Body	13N25	13N26	13N27	13N28	13N29				
Nozzle Size — size # (inch)	3 (3/16)	4 (1/4)	5 (5/16)	6 (3/8)	7 (7/16)	8 (1/2)	10 (5/8)	12 (3/4)	Short
4 Alumina	—	13N08	13N09	13N10	13N11	13N12	13N13	—	—
* Lava	—	13N14	13N15	13N16	13N17	13N18	13N19	—	—
* Long Lava	796F70	796F71	796F72	796F73	—	—	—	—	—
* X-Long Lava	796F74	796F75	796F76	796F77	—	—	—	—	—
Gas Lens									
Electrode Size — inch (mm)	.020 (0.5)	.040 (1.0)	1/16 (1.6)	3/32 (2.4)	1/8 (3.2)				
1 Insulator (required)	598882	598882	598882	598882	598882				
2 Collet	13N20	13N21	13N22	13N23	13N24				
5 Gas Lens	45V41	45V42	45V43	45V44	45V45				
Nozzle Size — size # (inch)	3 (3/16)	4 (1/4)	5 (5/16)	6 (3/8)	7 (7/16)	8 (1/2)	10 (5/8)	12 (3/4)	Short
6 Alumina Gas Lens	—	53N58	53N59	53N60	53N61	53N61S	—	—	—
Large Diameter Gas Lens									
Electrode Size — inch (mm)	.020 (0.5)	.040 (1.0)	1/16 (1.6)	3/32 (2.4)	1/8 (3.2)				
7 Insulator (required)	54N63-20	54N63-20	54N63-20	54N63-20	54N63-20				
8 Collet	13N20L	13N21L	13N22L	13N23L	13N24L				
9 Large Diameter Gas Lens	45V0204S	45V0204S	45V116S	45V64S	995795S				
Nozzle Size — size # (inch)	3 (3/16)	4 (1/4)	5 (5/16)	6 (3/8)	7 (7/16)	8 (1/2)	10 (5/8)	12 (3/4)	Short
10 Large Dia. Gas Lens	—	—	—	57N75	—	57N74	53N88	53N87	53N89
* Large Dia. Gas Lens-L	—	—	—	57N75L	—	57N74L	53N88L	53N87L	—
* Large Dia. Gas Lens-XL	—	—	—	57N75XL	—	57N74XL	53N88XL	53N87XL	—
* Large Dia. Gas Lens-XXL	—	—	—	57N75XXL	—	57N74XXL	53N88XXL	53N87XXL	—
Back Caps									
11 Short	41V33	12 Medium	41V35	13 Long	41V24				

\*Not shown.

# 1726 and 1726P Modular Series Consumables



Non-Gas Lens								
<b>Electrode Size — inch (mm)</b>	<b>.020 (0.5)</b>	<b>.040 (1.0)</b>	<b>1/16 (1.6)</b>	<b>3/32 (2.4)</b>	<b>1/8 (3.2)</b>	<b>5/32 (4.0)</b>		
1 Insulator (required)	18CG	18CG	18CG	18CG	18CG	18CG	18CG	18CG
2 Collet	10N21	10N22	10N23	10N24	10N25	10N25	54N20	54N20
3 Collet Body	10N29	10N30	10N31	10N32	10N28	10N28	406488	406488
<b>Nozzle Size — size # (inch)</b>	<b>4 (1/4)</b>	<b>5 (5/16)</b>	<b>6 (3/8)</b>	<b>7 (7/16)</b>	<b>8 (1/2)</b>	<b>10 (5/8)</b>	<b>12 (3/4)</b>	<b>Short</b>
4 Alumina	10N50	10N49	10N48	10N47	10N46	10N45	10N44	—
* Long Alumina	—	10N49L	10N48L	10N47L	—	—	—	—
* Lava	105Z43	105Z42	105Z44	105Z45	08N78	08N79	08N80	—
* Long Lava	12N03	105Z60	12N02	105Z61	—	—	—	—
Gas Lens								
<b>Electrode Size — inch (mm)</b>	<b>.020 (0.5)</b>	<b>.040 (1.0)</b>	<b>1/16 (1.6)</b>	<b>3/32 (2.4)</b>	<b>1/8 (3.2)</b>	<b>5/32 (4.0)</b>		
5 Insulator (required)	54N01	54N01	54N01	54N01	54N01	54N01	54N01	54N01
2 Collet	10N21	10N22	10N23	10N24	10N24	10N25	54N20	54N20
6 Gas Lens	45V29	45V24	45V25	45V26	45V26	45V27	45V28	45V28
<b>Nozzle Size — size # (inch)</b>	<b>4 (1/4)</b>	<b>5 (5/16)</b>	<b>6 (3/8)</b>	<b>7 (7/16)</b>	<b>8 (1/2)</b>	<b>10 (5/8)</b>	<b>12 (3/4)</b>	<b>Short</b>
7 Alumina Gas Lens	54N18	54N17	54N16	54N15	54N14	—	—	54N19
* Long Gas Lens	—	54N17L	54N16L	54N15L	—	—	—	—
Large Diameter Gas Lens								
<b>Electrode Size — inch (mm)</b>	<b>.020 (0.5)</b>	<b>.040 (1.0)</b>	<b>1/16 (1.6)</b>	<b>3/32 (2.4)</b>	<b>1/8 (3.2)</b>	<b>5/32 (4.0)</b>		
8 Insulator (required)	54N63	54N63	54N63	54N63	54N63	54N63	54N63	54N63
2 Collet	10N21	10N22	10N23	10N24	10N24	10N25	54N20	54N20
9 Large Diameter Gas Lens	45V0204	45V0204	45V116	45V64	45V64	995795	45V63	45V63
<b>Nozzle Size — size # (inch)</b>	<b>4 (1/4)</b>	<b>5 (5/16)</b>	<b>6 (3/8)</b>	<b>7 (7/16)</b>	<b>8 (1/2)</b>	<b>10 (5/8)</b>	<b>12 (3/4)</b>	<b>Short</b>
10 Large Dia. Gas Lens	—	—	57N75	—	57N74	53N88	53N87	53N89
* Large Dia. Gas Lens-L	—	—	57N75L	—	57N74L	53N88L	53N87L	—
* Large Dia. Gas Lens-XL	—	—	57N75XL	—	57N74XL	53N88XL	53N87XL	—
* Large Dia. Gas Lens-XXL	—	—	57N75XXL	—	57N74XXL	53N88XXL	53N87XXL	—
Stubby Non-Gas Lens								
<b>Electrode Size — inch (mm)</b>	<b>.020 (0.5)</b>	<b>.040 (1.0)</b>	<b>1/16 (1.6)</b>	<b>3/32 (2.4)</b>	<b>1/8 (3.2)</b>			
11 Insulator (required)	18CG20	18CG20	18CG20	18CG20	18CG20	18CG20	18CG20	18CG20
12 Stubby Collet	—	10N22S	10N23S	10N24S	10N24S	10N25S	10N25S	10N25S
13 Stubby Collet Body	17CB20	17CB20	17CB20	17CB20	17CB20	17CB20	17CB20	17CB20
<b>Nozzle Size — size # (inch)</b>	<b>4 (1/4)</b>	<b>5 (5/16)</b>	<b>6 (3/8)</b>	<b>7 (7/16)</b>	<b>8 (1/2)</b>	<b>10 (5/8)</b>	<b>12 (3/4)</b>	<b>Short</b>
14 Stubby Alumina	13N08	13N09	13N10	13N11	13N12	13N13	—	—
Stubby Gas Lens								
<b>Electrode Size — inch (mm)</b>	<b>.020 (0.5)</b>	<b>.040 (1.0)</b>	<b>1/16 (1.6)</b>	<b>3/32 (2.4)</b>	<b>1/8 (3.2)</b>			
15 Insulator (required)	17GLG20	17GLG20	17GLG20	17GLG20	17GLG20	17GLG20	17GLG20	17GLG20
12 Stubby Collet	—	10N22S	10N23S	10N24S	10N24S	10N25S	10N25S	10N25S
16 Stubby Gas Lens	—	17GL040	17GL116	17GL332	17GL332	17GL18	17GL18	17GL18
<b>Nozzle Size — size # (inch)</b>	<b>4 (1/4)</b>	<b>5 (5/16)</b>	<b>6 (3/8)</b>	<b>7 (7/16)</b>	<b>8 (1/2)</b>	<b>10 (5/8)</b>	<b>12 (3/4)</b>	<b>Short</b>
17 Alumina Gas Lens	53N58	53N59	53N60	53N61	53N61S	—	—	—
Back Caps								
18 Short	57Y04	19 Medium	300M	20 Long	57Y02			

\*Not shown.

# Tungsten

## Tungsten for the most demanding TIG welding applications!

Available in four types and industry-standard diameters, our line of Weldcraft™ tungsten electrodes has undergone rigorous testing to ensure the highest quality and durability. Color-coded packages include ten 7-inch (175 mm) tungsten electrodes.

*Note: Refer to manufacturer SDS sheets for proper preparation and safety. Use proper ventilation/capture during preparation. Refer to manufacturer warning regarding ventilation.*



Type	Diameter in. (mm)	Part #	Type	Diameter in. (mm)	Part #
<b>2% Ceriated (EWCe-2)</b>			<b>Pure (EWP)</b>		
Performs well in DC welding and arc starting at low-current settings, and offers excellent performance in AC processes.	0.040 (1.0)	<b>WC040X7</b>	Forms a clean, balled end when heated and provides good arc stability for AC welding with a balanced or unbalanced squarewave or sine wave.	0.040 (1.0)	—
	1/16 (1.6)	<b>WC116X7</b>		1/16 (1.6)	<b>WP116X7</b>
	3/32 (2.4)	<b>WC332X7</b>		3/32 (2.4)	<b>WP332X7</b>
	1/8 (3.2)	<b>WC018X7</b>		1/8 (3.2)	<b>WP018X7</b>
	5/32 (4.0)	<b>WC532X7</b>		5/32 (4.0)	—
<b>2% Lanthanated (EWLa-2)</b>			<b>Rare Earth (EWG)</b>		
Provides excellent arc starting, arc stability and re-ignition, and less tip erosion in AC or DC welding. Can substitute for 2% Thoriated.	0.040 (1.0)	<b>WL2040X7</b>	Combines the best of all alloying elements, and provides excellent arc stability in AC or DC welding.	0.040 (1.0)	—
	1/16 (1.6)	<b>WL2116X7</b>		1/16 (1.6)	<b>WG116X7</b>
	3/32 (2.4)	<b>WL2332X7</b>		3/32 (2.4)	<b>WG332X7</b>
	1/8 (3.2)	<b>WL2018X7</b>		1/8 (3.2)	<b>WG018X7</b>
	5/32 (4.0)	<b>WL2532X7</b>		5/32 (4.0)	—

## Genuine Miller® Accessories



### Accessory Kit AK-150MFC

Allows welding operators to customize their standard A-150 (WP-17) or A-125 (WP-9) TIG torch for

their specific application. Kit converts into 28 different torch styles while using the A-150 and A-125 existing cable. Includes collets, collet bodies, nozzles, torch heads, handle and more.



### Accessory Kit AK-225MFC

Supplements W-225 (WP-225) modular torch packages. Includes five additional torch heads, collets,

collet bodies, nozzles, handle and more.



### Cable Covers WC-3-10

10 ft. (3 m)

### WC-3-22

22 ft. (6.7 m)

### WC-3-48

48 ft. (14.6 m)



### Wireless Remote Foot Control 300429

For remote current and contactor control. Receiver plugs directly into the

14-pin receptacle of Miller machine. 90-foot (27.4 m) operating range.



### Wireless Remote Hand Control 300430

For remote current and contactor control. Receiver plugs directly into the 14-pin receptacle of Miller machine.

300-foot (91.4 m) operating range.



### RCC-14 Remote Contactor and Current Control 151086

East/west rotary-motion fingertip control attaches to TIG torch using two hook-and-loop fasteners. Includes 26.5-foot (8 m) cord with 14-pin plug.



### RCCS-14 Remote Contactor and Current Control 043688

North/south rotary-motion fingertip control attaches to TIG torch using two hook-and-loop fasteners. Includes 26.5-foot (8 m) cord with 14-pin plug.



### Low-Conductivity TIG Coolant 043810

Sold in multiples of four in 1-gallon recyclable plastic bottles. Miller coolants contains a base of ethylene glycol and deionized water

to protect against freezing to -37° Fahrenheit (-38°C) or boiling to 227° Fahrenheit (108°C).

Distributed by:

