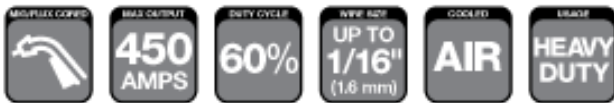


Smoke Master Series

450 AMP Fume Extraction MIG Gun

Air-Cooled



WELDING PROCESSES:

**MIG (GMAW), Flux Cored (FCAW),
Aluminum (GMAW),**

Standard Options Include:

- Rear Connector
- Standard Conductor Tube – Part No. S64-60 (Stock No. 1046-2258) on all guns up to 15 ft (4.6 m)
- Conduit Liner – 44 Series

Smoke Master® Mig Gun Series

FEATURES

- **Handle Slide Valve** allows the operator to regulate vacuum on the MIG gun
- **Efficiently Removes 90% of Smoke** from the welding zone
- **Surrounding Air** is drawn over the front end consumables and conductor tube to keep cool
- **Tough Outer Jacket** made from leather protecting inner vacuum hose from weld spatter/ abrasion
- **Low Bench Weight** for easy to handle MIG gun
- **Rugged & Durable Power Cablehoz®** with proven abrasion & heat resistance
- **Outer Metal Plated Insulated Smoke Tube**
- **1-3/8" (334.9 mm) Inside Diameter PVC Reinforced Vacuum Hose**
- **Ergonomic Handle** to reduce operator fatigue
- **Extended Trigger Length** to reduce radiated heat

Industry

- Ship and Offshore Yards
- Repair and Maintenance
- Steel Industry
- Industrial and General Fabrication
- Automotive

SMOKE MASTER 450 AMP

SPECIFICATIONS	
Description	Smoke Master 450 Amp
Welding Output CO ₂ Gas	450 A at 60%
Wire Diameter, Mild Steel	Up To 1/16" (1.6mm)
Wire Diameter, Stainless	Up To 1/16" (1.6mm)
Wire Diameter, Aluminum	Up To 1/16" (1.6mm)
Wire Diameter, Flux Core	Up To 1/16" (1.6mm)
Certification Mark (Standards)	CE IEC 60974-7
Operating Temperature	-10 to +40 °C
Cable Length	12 ft. (3.6 m) and 15 ft. (4.6 m)

Tweco® Style Rear Connector

Adapter kits are available to fit Tweco rear connection to most wire feeders

Wire Size	Length	Part No.	Stock No.
Up To 1/16" (1.6 mm)	15 ft (4.6 m)	S415-116	1046-1108

Miller® Style Rear Connector

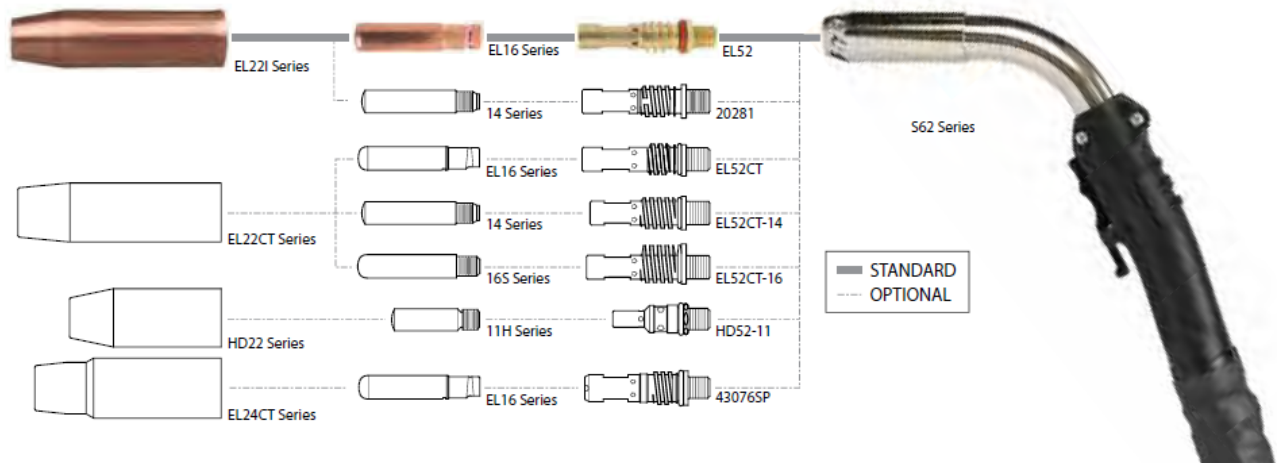
Wire Size	Length	Part No.	Stock No.
Up To 1/16" (1.6 mm)	15 ft (4.6 m)	S415M-116	1046-1128

Lincoln® Style Rear Connector

Fits Lincoln LN7, 8, 9, SP200

Wire Size	Length	Part No.	Stock No.
Up To 1/16" (1.6 mm)	15 ft (4.6 m)	S415L-116	1046-1138

Some Lincoln wire feeders are assembled with their K1500-2 gun receiving bushing that will accept Tweco Style MIG Guns direct from the factory. Control wire Part No. MS354-DSLJ (Stock No. 2060-2137) Must be ordered separately.



Conduit Liners – For Use With Steel Welding Wires

300-450 Amp – Steel Wound

Wire Size	Length	Part No.	Stock No.
.035" - .049" (0.9 - 1.2 mm)	15 ft (4.6 m)	42-3035-15	1420-1113
.030" - .045" (0.9 - 1.2 mm)	25 ft (7.6 m)	42-3035-25	1420-1115
.052" - 1/16" 1 (.3 - 1.6 mm)	15 ft (4.6 m)	42-4045-15	1420-1123
.052" - 1/16" 1 (.3 - 1.6 mm)	25 ft (7.6 m)	42-4045-25	1420-1125
5/64" (2.0 mm)	15 ft (4.6 m)	42-116-15	1420-1124
5/64" (2.0 mm)	25 ft (7.6 m)	44-564-25	1440-1125
3/32" (2.4 mm)	15 ft (4.6 m)	44-332-15	1440-1127

Conduit Liners – For Use With Aluminium Welding Wires

300-450 Amp – Nylon

Wire Size	Length	Part No.	Stock No.
.030" - 3/64" (0.8 - 1.2 mm)	15 ft (4.6 m)	44N-3545-15	1440-1003
1/16" (1.2 mm)	15 ft (4.6 m)	44N-116-15	1440-1012

SMOKE MASTER 450 AMP

Contact Tips – Eliminator® Style

EL16 & EL16T Series

0.375" (6.35 mm) Outside Diameter –
1.50" (38.1 mm) Overall Length 25 per pack



Wire Size (in / mm)v	Tip I.D.	Standard		Tapered	
		Part No.	Stock No.	Part No.	Stock No.
.030" (0.8 mm)	.038" (0.97 mm)	EL16-30	1160-1610	EL16T-30	1160-1601
.035" (0.9 mm)	.044" (1.12 mm)	EL16-35	1160-1611	EL16T-35	1160-1602
.040" (1.0 mm)	.048" (1.22 mm)	EL16-40	1160-1612	EL16T-40	1160-1603
.045" (1.2 mm)	.054" (1.37 mm)	EL16-45	1160-1613	EL16T-45	1160-1604
.052" (1.3 mm)	.064" (1.65 mm)	EL16-52	1160-1615	EL16T-52	1160-1605
1/16" (1.6 mm)	.073" (1.85 mm)	EL16-116	1160-1616	EL16T-116	1160-1606
5/64" (2.0 mm)	.090" (2.29 mm)	EL-16-564	1160-1618	NA	
3/32" (2.4 mm)	.106" (2.67 mm)	EL16-332	1160-1619	NA	
3/64" AL (1.2 mm)	.059" (1.50 mm)	EL16A-364	1160-1614	EL16AT-364	1160-1607

Contact Tips – Long Life Eliminator® Style

EL16RZ & EL16RZT Series

0.375" (9.5 mm) Outside Diameter – 1.50" (38.1 mm)
Overall Length 2 per pack



Wire Size (in / mm)v	Tip I.D.	Standard		Tapered	
		Part No.	Stock No.	Part No.	Stock No.
.035" (0.9 mm)	.041" (1.04 mm)	NA		EL16RZT-35	1160-1705
.045" (1.2 mm)	.051" (1.30 mm)	EL16RZ-45	1160-1732	EL16RZT-45	1160-1707
.052" (1.3 mm)	.058" (1.47 mm)	EL16RZ-52	1160-1733	EL16RZT-52	1160-1708

Nozzles – Eliminator Style® Air-Cooled

EL22I Series

3-Piece Nozzle Design - 0.875" (22.2 mm) Outside Diameter Self Insulated Nozzles. Use with
Part No. EL52 (Stock No.1560-1110) Gas Diffuser. 2 per pack



Nozzle Style	Bore Diameter	Part No.	Stock No.	Nozzle Design	Nozzle/Contact Tip Relationship
Slip-On	3/8" (9.5 mm)	EL22I-37	1260-1601	Standard	1/8" – 5/32" (3.2 mm – 3.97 mm) Tip Recess
	1/2" (12.7 mm)	EL22I-50F	1260-1612	Standard	1/8" – 5/32" (3.2 mm – 3.97 mm) Tip Recess
	1/2" (12.7 mm)	EL22I-50P	1260-1686	Standard	5/32" (3.97 mm) Tip Protruding
	5/8" (15.9 mm)	EL22I-62	1260-1603	Standard	1/8" – 5/32" (3.2 mm – 3.97 mm) Tip Recess
	3/4" (19.5 mm)	EL22I-75	1260-1604	Standard	1/8" – 5/32" (3.2 mm – 3.97 mm) Tip Recess

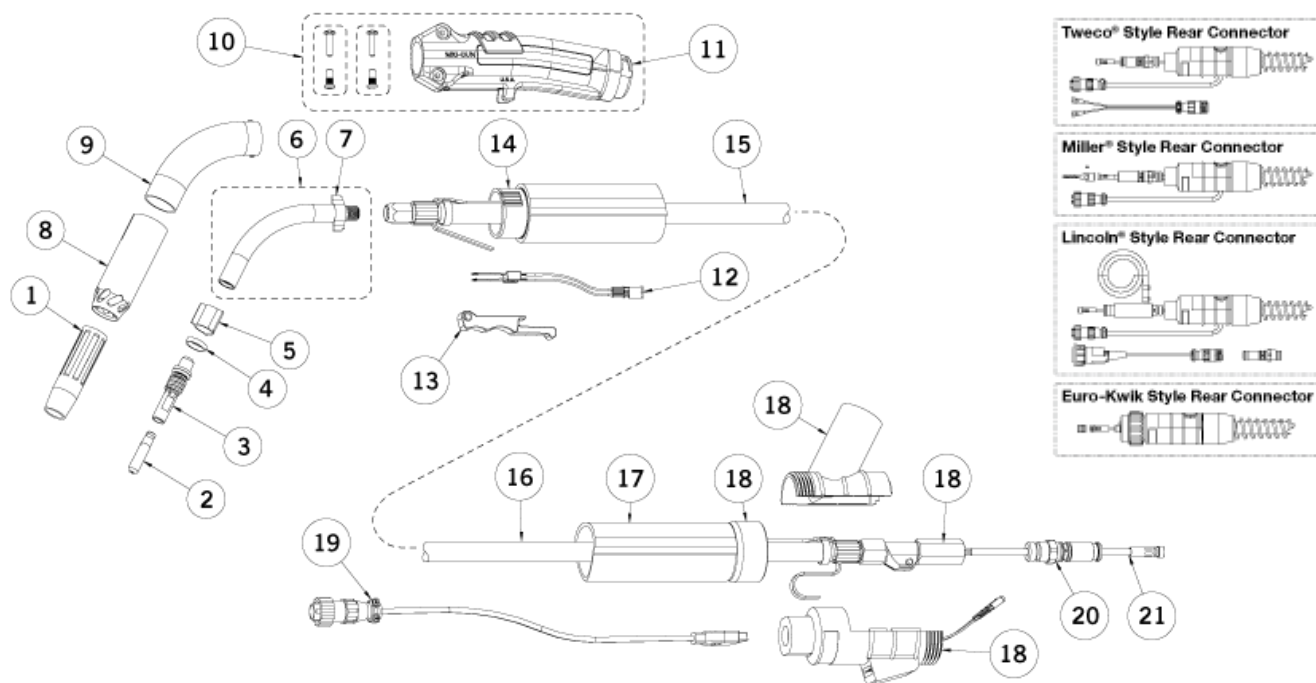
EL22CT Series

3-Piece Nozzle Design - 0.875" (22.2 mm) Outside Diameter Self Insulated Nozzles.
Use with Part No. EL52CT Series Gas Diffuser. 2 per pack



Nozzle Style	Bore Diameter	Part No.	Stock No.	Nozzle Design	Nozzle/Contact Tip Relationship
Slip-On	3/8" (9.5 mm)	EL22CT-37	1260-1625	Standard	1/8" – 5/32" (3.2 mm – 3.97 mm) Tip Recess
	3/8" (9.5 mm)	EL22CT-37F	1260-1635	Standard	Flush To 1/16" (1.6mm) Tip Recess
	1/2" (12.7 mm)	EL22CT-50	1260-1626	Standard	1/8"– 5/32" (3.97 mm) Tip Protruding
	1/2" (12.7 mm)	EL22CT-50F	1260-1636	Standard	Flush To 1/16" (1.6 mm) Tip Recess
	5/8" (15.9 mm)	EL22CT-62	1260-1627	Standard	1/8" – 5/32" (3.2 mm – 3.97 mm) Tip Recess
	5/8" (15.9 mm)	EL22CT-62F	1260-1637	Standard	Flush To 1/16" (1.6 mm) Tip Recess
	5/8" (15.9 mm)	EL22CT-62P	1260-1692	Standard	5/32" (3.97 mm) Tip Protruding
	5/8" (15.9 mm)	EL22CT-62H	1260-1629	Standard , Heavy Duty	1/8" – 5/32" (3.2 mm – 3.97 mm) Tip Recess
	5/8" (15.9 mm)	EL22CT-75	1260-1628	Standard	1/8" – 5/32" (3.2 mm – 3.97 mm) Tip Recess

Replacement Parts



#	Description	Part No.	Stock No.
1	Nozzle	Refer To Page 3	
2	Contact Tip	Refer To Page 3	
3	Diffuser (Slip-on)	EL52	1560-1110
3	Diffuser (Coarse Thread)	EL52CT	1560-1109
4	Insulator Spacer	S64-R	1046-2223
5	Smoke Tube Spacer	S64-1	1046-2273
6	Conductor Tube (60 Degree, Standard)	S64-60	1046-2258
6	Conductor Tube (45 Degree, Standard)	-	-
7	Handle Spacer	S64-2	1046-2271
8	Smoke Nozzle (Standard)	S24-62	1046-2225
8	Smoke Nozzle (High Volume)	S24-62HV	1046-2226
9	Smoke Tube (60 Degree, Standard)	S64T-60	1046-2240
9	Smoke Tube (45 Degree, Standard)	-	-
10	Handle Assembly	S86	1046-2250
11	Handle Valve	S86V	1046-2252
12	Trigger Blade Assembly	ELC94-BL	2060-2671
13	Trigger	EL96	2060-2605
14	Swivel Cap Assembly	S86-C	1046-2254

#	Description	Part No.	Stock No.
15	Cablehoz® Assembly, 12ft(4 m)	S412	1046-2203
15	Cablehoz Assembly, 15ft(5 m)	S415	1046-2206
16	Smoke Hose, 12 ft (4 m)	S412-H	1046-2267
16	Smoke Hose, 15 ft (5 m)	S415-H	1046-2268
17	Leather Jacket, 12 ft (4 m)	SHP-12	2060-2018
17	Leather Jacket, 15 ft (5 m)	SHP-15	2642-2460
18	Rear Case Assembly	MSAK-354	2642-2470
19	Control Wire (Tweco®)	MAK-354	2642-2460
19	Control Wire (Miller®)	MSAK-354	2642-2470
19	Control Wire (Lincoln®)	LAK-354	2642-2450
20	Connector Plug	Refer To Full Line Catalog	
21	Conduit Assembly	Refer To Page 2	



ESAB / esab.com

