

Flux Core SEFC Series

450 AMP MIG Gun

Air-Cooled

TWECO
AN ESAB BRAND



WELDING PROCESSES:

MIG (GMAW), Flux Cored(FCAW)

Standard Options Include:

- Rear Connector
- Standard Conductor Tube – Part No. 66FC-60 (Stock No. 1661-1127) on all guns up to 15 ft (4.6 m)
- Conduit Liner – 44FC Series

Industry

- Ship and Offshore Yards
- Repair and Maintenance
- Steel Industry
- Industrial and General Fabrication
- Automotive

Compact Eliminator® Mig Gun Series

FEATURES

- **High Impact-Resistant One-Piece “Straight” Handle** allows the welder to locate the trigger at the bottom or top of handle
- **Metal “Paddle” Style Trigger Lever**
- **Micro-Switch Trigger Design** incorporates a button style switch for start/stop wire feed
- **Spare Trigger Leads in Cablehoz**
- **Durable & Dependable** for use with all gasless wires
- **Heavy Duty Design** for a wide variety of welding applications
- **Heavy Duty Front End Consumables**
- **Rugged & Durable Power Cablehoz** with proven abrasion & heat resistance

Flux Core SEFC 450 AMP

SPECIFICATIONS	
Description	Flux Core SEFC 450 Amp
Welding Output CO ₂ Gas	450 A at 60%
Wire Diameter, Flux Core	Up To 3/32" (2.4mm)
Certification Mark (Standards)	CE IEC 60974-7
Operating Temperature	-10 to +40 °C
Cable Length	10 ft. (3 m) and 15 ft. (4.6 m)

Tweco® Style Rear Connector

Adapter kits are available to fit Tweco rear connection to most wire feeders

Wire Size	Length	Part No.	Stock No.
Up To 1/8" (3.2 mm)	15 ft (4.6 m)	SEFC450T-15	1041-1120

Lincoln® Style Rear Connector

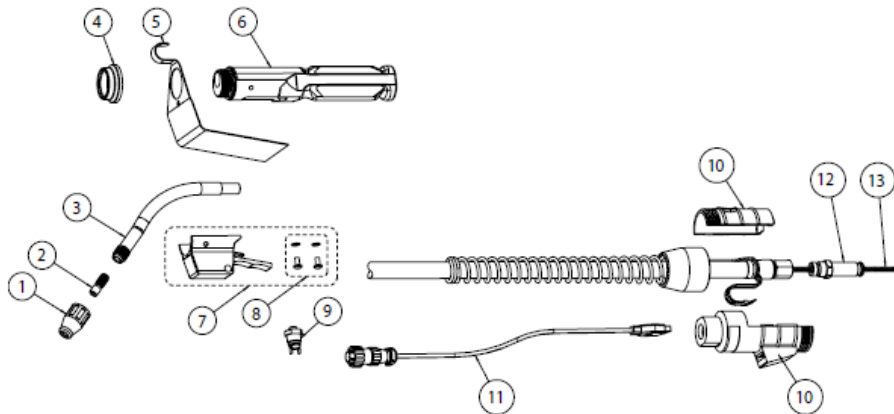
8-pin Control Wire Connector - ESAB REBEL

Wire Size	Length	Part No.	Stock No.
Up To 1/8" (3.2 mm)	15 ft (4.6 m)	SEFC450-15	1041-1113

Miller® Style Rear Connector

Wire Size	Length	Part No.	Stock No.
Up To 1/8" (3.2 mm)	15 ft (4.6 m)	SEFC450M-15	1041-1139

Amp/ Model			Wire Size	Cooled	Application Usage
Amps	Duty Cycle	Gas			
450 Amps	60%	CO ₂ Carbon Dioxide	Up to 1/8" (3.2 mm)	Air	Heavy Duty Fabrication



#	Description	450 Amp	
		Part No.	Stock No.
1	Insulated Guide Nozzle, 3/4" (19 mm) Stickout	26FC-150	1261-1026
	Insulated Guide Nozzle, 1-1/2" (38 mm) Stickout	26FC-275	1261-1027
2	Contact Tip, 5/64" (2.0 mm)	16FC-564	1660-1125
	Contact Tip, 7/64" (2.8 mm)	16FC-764	1660-1127
3	Contact Tip, 1/8" (3.2 mm)	16FC-120	1660-1128
	Conductor Tube (60 Degree, Standard)	66FC-60	1661-1127
	Conductor Tube (45 Degree)	66FC-45	1661-1126
4	Heat Shield Nut	SE86FC-R2	2060-2065
5	Heat Shield	156W-HS	2062-2157
6	Handle	SE86FC-H	2060-2063
7	Trigger Assembly	SE96	2060-2056

#	Description	450 Amp	
		Part No.	Stock No.
8	Trigger Housing Screw	SE96-SW	2060-2055
9	Trigger Switch	SE96-B	2060-2054
10	Rear Case	M6RC	2060-2018
11	Control Wire (Tweco®)	MAK-354	2642-2460
	Control Wire (Miller®)	MSAK-354	2642-2470
	Control Wire (Lincoln®)	LAK-354	2642-2450
12	Connector Plug (Tweco)	FC450-174H	2061-2116
	Connector Plug (Miller)	FC450-174MH	2061-2118
	Connector Plug (Lincoln)	176FCH	2041-2132
13	Conduit, 15ft (4.6 m) 3/32" (2.4 mm)	44FC-332-15	1440-1034
	Conduit, 15ft (4.6 m) 1/8" (3.2 mm)	44FC-18-15	1440-1036
NS	Protective Cable Wrap, 50 ft (15 m) per box	TCR50	9900-1150



ESAB / esab.com

