

# Swarm A30

## Auto-Darkening Welding Helmet



*Swarm A30*

### Welding Processes

- SMAW / MMA (Stick)
- MIG / MAG (GMAW)
- Manual Plasma Cutting (PAC)
- Air Carbon Arc and Cutting (CAC-A)
- Oxy-Fuel Cutting
- Grinding

When precision is a must, Swarm A30 delivers the accuracy needed to produce flawless welds. Using convenient internal dial controls, the auto-darkening filter (ADF) provides a sharp, clean view of the weld pool using true-color technology and highly-rated EN 1/1/1/2 optical performance. A handy grind setting is available to alleviate the need to swap PPE for finishing requirements.

The streamlined shell completes the helmet for lightweight, high-quality protection. Swarm A30's sleek design and advanced performance will take your welding to new heights.

- ADF viewing area: 98 x 43 mm (3.85 x 1.7 in.)
- Shade range: DIN 4/9–13
- Grind mode via internal switch
- CE Optical class: 1/1/1/2
- Arc sensors: 4
- Fast switching time of 0.08 millisecond
- Internally-mounted and fully-adjustable delay and sensitivity settings
- Replaceable 1 x CR2450 battery
- Low battery indicator LED
- ADF test button

Visit **esab.com** for more information.



*Lightweight, streamlined shell design with 1/1/1/2 CE optical clarity ADF.*

# Swarm A30

## Specifications

|                                |  |
|--------------------------------|--|
| Viewing Area                   | 98 x 43 mm (3.85 x 1.7 in.)                        |
| Active Lens Shade (Adjustable) | 9–13   |
| Passive Lens Shade             | 4  |
| Power Supply                   | 1 x CR2450 battery, replaceable                    |
| Arc Sensors                    | 4  |
| Switch Time (Light to Dark)    | 0.08 ms  |
| CE Optical Classification      | 1/1/1/2  |
| Standards and Certifications   | CE: EN175; EN379; EN166   ANSI: Z87.1   CSA: Z94.3 |
| Weight                         | 520g (1.1 lb)                                      |

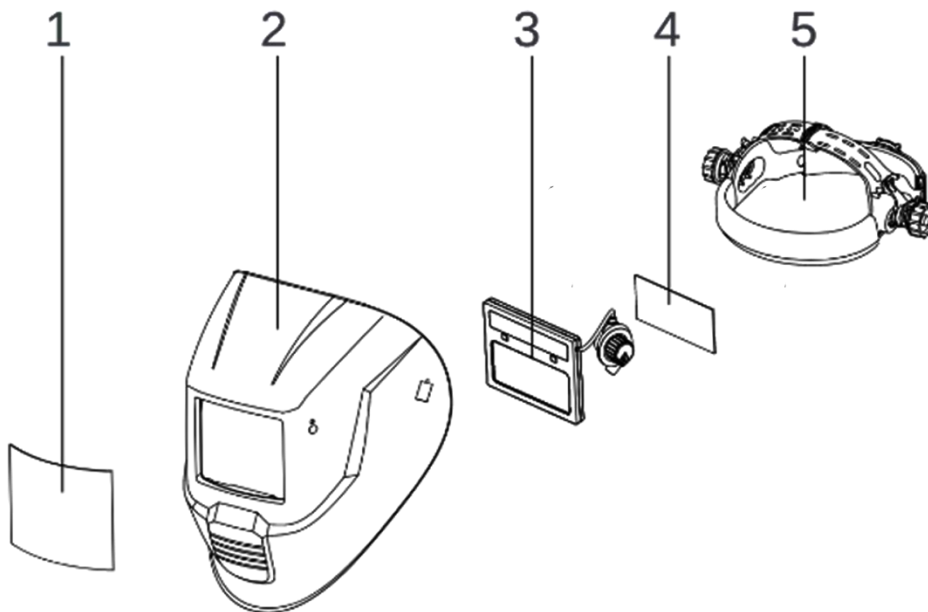
## Ordering Information

| Description      | Part Number |
|------------------|-------------|
| Swarm A30 Helmet | 0700102044  |

Delivery includes: Full helmet assembly.

## Spare Parts

|   |  |            |
|---|--|------------|
| 1 | Swarm A10 / A20 / A30 Front Cover Lens 5 PCS | 0700102036 |
| 2 | Swarm A30 Shell (PA)                         | 0700102045 |
| 3 | Swarm A30 Auto Darkening Filter (ADF)        | 0700102047 |
| 4 | Swarm A30 Inner Cover Lens 5 PCS             | 0700102046 |
| 5 | Swarm A30 Headgear                           | 0700102050 |



ESAB / esab.com

